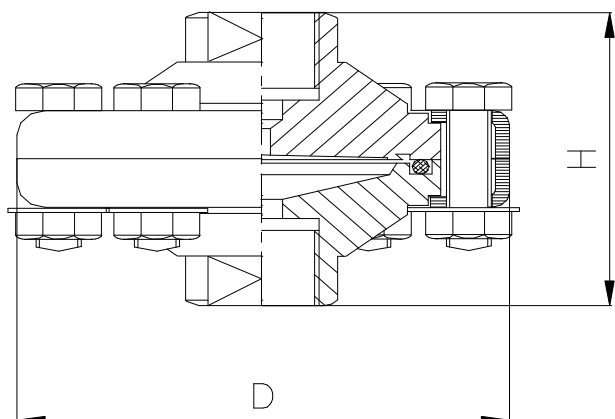




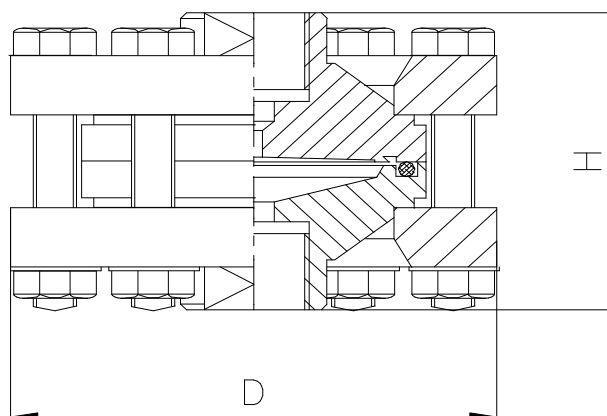
LD SERIES



When the process connection of the diaphragm seal is expected to be small thread connection, model LD is a good choice. The structure of diaphragm seal is two-parted. The measuring diaphragm is welded to the upper part of the diaphragm seal. Both remote seal parts are connected together with tightening circles and screws. Remote seal can be connected measuring equipment either directly or with capillary. The process connections of the diaphragm seals are G 1/2" female or male. Another sizes of the threads are possible. Diaphragm seal is suitable especially to measure pressure of pure fluids and gas. The diaphragm seal is not suitable for measuring blocking and crystallizing masses.



LD-diaphragm seal PN 25.....PN 40



LD-diaphragm seal PN 100.....PN 600

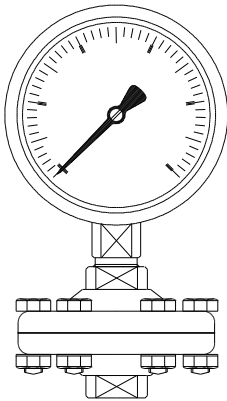
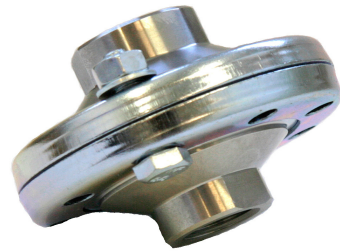
PN	D	H	Bolts
25	87	56	8xM8x30
40	87	56	8xM8x30
100	90	56	8xM8x40
160	90	56	8xM8x40
250	110	56	8xM12x50
400	120	56	8xM12x70
600	110	79	6xM16x60

Lyth-Instrument Oy
 Peltosaarenkatu 8
 FI-11130 Riihimäki
 Finland , Europe

phone: + 358-19-760330
 fax : + 358-19-722085
 www.lyth.fi



LD SERIES



LD-diaphragm seal
connected to pressure gauge

LD.	Two-part diaphragm seal		
	Process connection		
R	BSP 2=1/2" 3=3/8" 4=1/4" female 6=1" 7=1/2" 8=3/8" 9=1/4" male		
K	BSPT 2=1/2" 3=3/8" 4=1/4" female 6=1" 7=1/2" 8=3/8" 9=1/4" male		
N	NPT 2=1/2" 3=3/8" 4=1/4" female 6=1" 7=1/2" 8=3/8" 9=1/4" male		
	Nominal pressure		
25	25 - 40 bar Zn steel		
100	100 bar AISI 316		
160	160 bar AISI 316		
250	250 bar AISI 316		
400	400 bar AISI 316		
600	600 bar AISI 316		
	Measuring connection		
R	BSP 2=1/2" 3=3/8" 4=1/4" female, 7=1/2" 8=3/8" 9=1/4" male		
N	NPT 2=1/2" 3=3/8" 4=1/4" female, 7=1/2" 8=3/8" 9=1/4" male		
H	Connected to transmitter flange of transmitter with capillary		
	Capillary		
-	Without capillary or cooling element.		
S2H	Cap. 3,00x1,00mm	1, 2, 3, 4, 5, 6, 7, 8, 9, 10m	
S1H	Cap. 3,18x1,76mm	1, 2, 3, 4, 5, 6, 7, 8, 9, 10m	
JK	Cooling element		
	Options		
P_/_	Diaphragm's extensions P_/_ (pipe's diaphragm length)		
	Body	Diaphragm	Wetted parts
000	AISI 316	AISI 316L	AISI 316
011	AISI 316	Hast C	Hast C
022	AISI 316	Titanium	Titanium
222	TITAN	Titanium	Titanium
033	AISI 316	Tantalum	Tantalum
050	AISI 316	316L+PTFE	AISI 316
See separate data sheet for filling liquids			

LD. R7 25 H S1H3 - 000

- Two-part diaphragm seal
- Process connection G1/2" male
- Nominal pressure PN 25
- Measuring connection welded (capillary version)
- With capillary 3m
- Body and wetted parts AISI 316
- See separate data sheet for filling liquids

Lyth-Instrument Oy
Peltosaarenkatu 8
FI-11130 Riihimäki
Finland , Europe

phone: + 358-19-760330
fax : + 358-19-722085
www.lyth.fi