



LH SERIES

DIAPHRAGM SEAL WITH CONICAL COUPLER

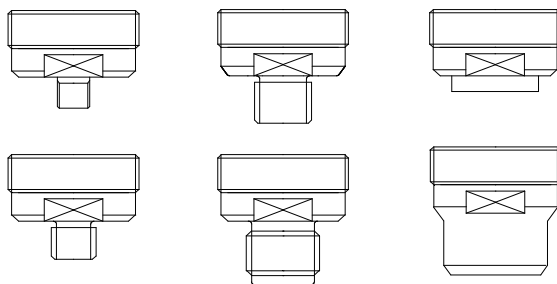
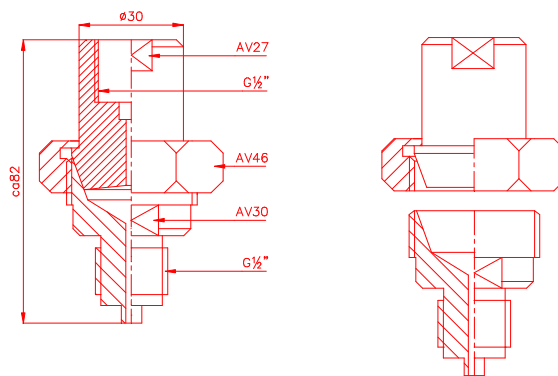


Model LH is suitable to small-size pipe lines because of its small size. The body of diaphragm seal is formed from two parts, the diaphragm seal and the process connection which are connected together with nut.

Basic process connection is G 1/2" male thread, but other threads are also possible from special order. The material is stainless steel AISI 316.

Nominal pressure is PN 63.

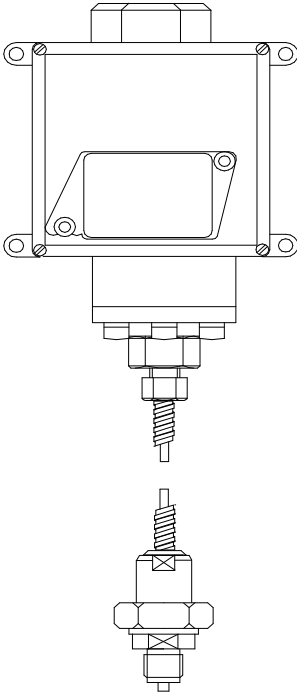
Model LH is very suitable to measure the pressure of fluids and gases, if pressure is over 4 bar.



Process connections of LH -diaphragm seal



LH SERIES



LH.R7 -diaphragm seal with capillary connected to CCS -pressure switch

LH.	Diaphragm seal with conical coupler Nominal pressure 63 bar		
	Process connection		
O	Without process connection		
H	Welding process connection		
R	BSP 2=1/2" 3=3/8" 4=1/4" female 7=1/2" 8=3/8" 9=1/4" male		
K	BSPT 2=1/2" 3=3/8" 4=1/4" female 7=1/2" 8=3/8" 9=1/4" male		
N	NPT 2=1/2" 3=3/8" 4=1/4" female 7=1/2" 8=3/8" 9=1/4" male		
	Measuring connection		
R	BSP 2=1/2" 3=3/8" 4=1/4" female, 7=1/2" 8=3/8" 9=1/4" male		
N	NPT 2=1/2" 4=1/4" female, 7=1/2" 9=1/4" male		
H	Connected with capillary		
	Capillary		
-	Without capillary, cooling element.		
S2H/	Cap. 3,00X1,00/ capillary lenght		
S1H/	Cap. 3,18X1,76 /capillary lenght		
JK	Cooling element		
	Body	Diaphragm	Wetted parts
000	AISI 316	AISI 317L	AISI 316
011	AISI 316	HAST C	HAST C
022	AISI 316	TITAN	TITAN
222	TITAN	TITAN	TITAN
005	AISI 316	AISI 317L	PTFE
	Filling fluids		
	Look fillingfluid datasheet		

LH R7 R2 - 000

- LH -diaphragm seal
- Process connection G 1/2" male
- Connection for measuring instrument
- Body and wetted parts AISI 316
- Filling fluid

Lyth-Instrument Oy
 Peltosaarenkatu 8
 FI-11130 Riihimäki
 Finland , Europe

phone: + 358-19-760330
 fax : + 358-19-722085
www.lyth.fi