

BETA products are manufactured in The Netherlands

Enclosures:

Cast Aluminum:

Oven baked powder coating
hammertone grey

Also available in SS 316

Wheaterproof IP 66
- EN 60529

(Nema 4X)

Repeatability:

Typical 0.2% of Full Scale

Standard unit: Barg

Optional: PSI / Kg / Pa

Standard process connetion:
1/4" NPT F or BSP F

Standard Diaphragm/O-ring:
Buna N / Buna N

For wetted parts:

More possibilities available,
see full catalogue

**BETA SWITCHES ARE,
BUILD TO LAST!**

Do you want to know more:

Please contact your local dealer
and ask for the General Bulletin.
Or contact us directly!



WWW.BETA-B.NL



RANGES for Pressure switches:

| RANGE CODE | ADJUSTABLE RANGE | | ADJUSTABLE RANGE | | ADJUSTABLE RANGE | | ADJUSTABLE RANGE | |
|------------------------------|------------------|------|------------------|--------|------------------|-----|------------------|--------|
| | mBar/ Bar | | PSI / Inch WC | | Kpa/ MPa | | Kg/cm2 / mmH2O | |
| P 301 L ¹⁾ | 2 - 15 | mBar | 0.8 - 6 | InchWC | 0.2 - 1.5 | kPa | 20 - 150 | mmH2O |
| P 302 L ¹⁾ | 10 - 100 | mBar | 4 - 39 | InchWC | 1 - 10 | kPa | 100 - 1000 | mmH2O |
| P 304 L | 20 - 240 | mBar | 8 - 94 | InchWC | 2 - 24 | kPa | 200 - 2400 | mmH2O |
| P 306 L | 20 - 560 | mBar | 8 - 220 | InchWC | 2 - 56 | kPa | 200 - 5600 | mmH2O |
| P 308 L | 25 - 1300 | mBar | 10 - 510 | InchWC | 2.5 - 130 | kPa | 250 - 13000 | mmH2O |
| P 402 M | 100 - 400 | mBar | 1.5 - 5.8 | PSI | 10 - 40 | kPa | 0.1 - 0.41 | Kg/cm2 |
| P 404 M | 100 - 950 | mBar | 1.5 - 14 | PSI | 10 - 95 | kPa | 0.1 - 0.97 | Kg/cm2 |
| P 406 M | 120 - 2300 | mBar | 1.7 - 33 | PSI | 12 - 230 | kPa | 0.12 - 2.3 | Kg/cm2 |
| P 408 M | 150 - 5400 | mBar | 2.1 - 78 | PSI | 15 - 540 | kPa | 0.15 - 5.45 | Kg/cm2 |
| P 502 H | 0.3 - 1.6 | Bar | 4.4 - 23 | PSI | 0.03 - 0.16 | MPa | 0.3 - 1.60 | Kg/cm2 |
| P 504 H | 0.4 - 3.5 | Bar | 5.8 - 51 | PSI | 0.04 - 0.35 | MPa | 0.4 - 3.5 | Kg/cm2 |
| P 506 H | 0.5 - 9.0 | Bar | 7.3 - 130 | PSI | 0.05 - 0.9 | MPa | 0.5 - 9.2 | Kg/cm2 |
| P 508 H | 0.7 - 21.5 | Bar | 10 - 310 | PSI | 0.07 - 2.15 | MPa | 0.7 - 22 | Kg/cm2 |
| P 706 H | 2.5 - 32 | Bar | 36 - 464 | PSI | 0.25 - 3.2 | MPa | 2.5 - 33 | Kg/cm2 |
| P 708 H | 3.0 - 76 | Bar | 44 - 1100 | PSI | 0.3 - 7.6 | MPa | 3.1 - 77 | Kg/cm2 |
| P 808 H | 4.0 - 170 | Bar | 58 - 2500 | PSI | 0.4 - 17 | MPa | 4 - 170 | Kg/cm2 |
| P 908 H | 10 - 300 | Bar | 150 - 4400 | PSI | 1 - 30 | MPa | 10 - 310 | Kg/cm2 |
| P 909 H | 10 - 350 | Bar | 150 - 5100 | PSI | 1 - 35 | MPa | 10 - 360 | Kg/cm2 |

¹⁾ Only available with L1-microswitch element. K1-microswitch element possible consult factory).

Disclaimer:

We reserve the right to make changes or modify the contents of this document without prior notice. BETA B.V. does not accept any liability or claim whatsoever for potential errors, incorrect interpretation or possible lack of information in this document. It is clearly and only intended as course and general information of our products.

More Short Form Data Sheets on Pressure, Vacuum and Temperature Switches are available.

Making the modelcode: Follow steps 1 to 5

1 Selection of enclosure type.

| Conduit: | Material: | Code: |
|-----------------|-----------|-----------|
| Pg 13.5 | Aluminium | C1 |
| M20 x 1.5 | Aluminium | C2 |
| 3/4" NPT F | Aluminium | C3 |
| 1/2" NPT F | Aluminium | C4 |
| M20 x 1.5 | SS 316 | C8 |
| Other/ Specials | Aluminium | CX |
| | SS 316 | CX |

2 Selection of range code, see front page.

3 Selection of process connection.

| Size: | Material: | Code: |
|------------|-------------|------------|
| 1/4" NPT F | Aluminium * | A1N |
| 1/2" NPT F | Aluminium * | A2N |
| 1/4" NPT F | SS 316 | S1N |
| 1/2" NPT F | SS 316 | S2N |
| 1/2" NPT M | SS 316 | S7N |

* Aluminum only, std on P.L. - **Not available** on other ranges.

Above standard process connections are also available in: "**BSP**"

For example: 1/2" BSP F (3316) = **S2B**

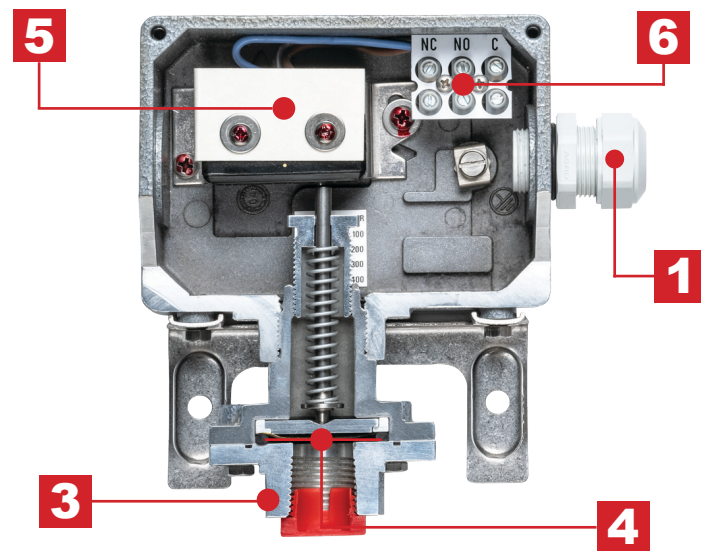
Process connections are also available in other materials like, Monel, PVC, Hastelloy, Titanium etc.

4 Selection of wetted parts.*

| Diaphragm: | O-ring: | Code: |
|------------|---------|-----------|
| Buna N | Buna N | B1 |
| Viton | Viton | V2 |
| SS 316 | Buna N | S1 |
| SS 316 | Viton | S2 |
| SS 316 | Teflon | S4 |
| SS 316 | EPDM | S6 |
| SS 316 | Welded | S0 |

* WETTED PARTS ARE NOT GUARANTEED.

against corrosion or permeation since processes vary from plant to plant and concentration of harmful fluids, gasses or solids vary from time to time in a given process. Empirical experience by users should be the final guide and alternate materials based on this are generally available. The diaphragm / O-Ring combinations are for process temperatures of -5°C to +90°C, unless otherwise indicated. For process temperatures beyond these limits please contact your BETA Switch Representative.



5 Selection of microswitches.

| Rating: | | Use: | Code: |
|-----------|--------------------|--|--------------|
| VAC. | VDC. ³⁾ | | |
| 480/ 15A | 28/ 0.5A | Standard | K1 |
| 480/ 10A | 28/ 0.5A | Standaard for L-serie | L1 |
| 480/ 15A | 125/ 0.5A | Normal DC-service | U1 |
| 125/ 1A | 28/ 0.5A | For use in ³⁾ H ₂ S environment and/or for Ex ia / Ex ib applications. | Y1 |
| 250/ 0.1A | 30/ 0.1A | Environmental proof (IP 67) | G1 ** |
| 250/ 0.1A | 30/ 0.1A | | O1 |
| 250/ 2A | 30/ 2A | | N1 |

1) For D.P.D.T action, second code figure should be specified as "**2**"
For example: **K1** = S.P.D.T./ **K2** = D.P.D.T

2) VDE certified acc. to DIN EN 61 058-1:1992+A1:1993.

3) Indicated ratings are for resistive DC load only.

** DC Rating not U.L. listed, although experience and third party testing confirm the D.C Voltage ratings. Consult your local BETA switch Representative.

6 Selection of options.

| Description: | Code: |
|-------------------------------------|----------|
| Cable gland | C |
| Intrinsically Safe Application Ex i | I |
| Vacuum Protection Plate | M |

Accessoires:

2" Pipe mount bracket set available.

Contents :

2 x bolts M6 x 100 mm + washer & nut

Size: +/- 1.5 mm, Material: SS 304

