

General Specifications

UT55A/MDL, UT52A/MDL
Digital Indicating Controller
(DIN Rail Mounting Type)

UTAdvanced™

Functional Enhancement

GS 05P01C81-01EN

Overview

The UT55A/MDL and UT52A/MDL controllers can be mounted in an enclosure. A ladder sequence function is included as standard. The short depth of the controller helps save a space in an enclosure. The UT55A and UT52A also support open networks such as Ethernet communication.

The UT55A and UT52A have a Panel mounting type (without option code /MDL). For more details, please see General Specification GS 05P01C31-01EN.

Features

- Simple panel surface
Mounting the controller in an enclosure simplifies the panel surface.
- Ladder sequence function is included as standard. This function allows for creating a simple sequence control. Dedicated LL50A Parameter Setting Software (sold separately) allows for performing programming using a ladder language.
- Various built-in open network functions such as Ethernet are available. Easy connection with various vendors' PLCs is possible. (UT52A support CC-Link and RS485 communication only.)
- Equipped with a multitude of functions
Universal I/O, eight control modes (cascade control, etc), and retransmission output are included as standard. PID control, heating/cooling control, feed forward control, etc. are available.
- LL50A Parameter Setting Software (sold separately)
The parameters and ladder programs of UTAdvanced controller can be built from a PC using this software. It makes data management even easier.

Functional Specifications

Control Specifications

(1) Control Mode

Control functions of the controller can be set as control modes.

Control mode	Function
SGL (1)	Single-loop control
CAS1 (2)	Cascade primary-loop control ^{(*)1}
CAS2 (3)	Cascade secondary-loop control ^{(*)1}
CAS (4)	Cascade control ^{(*)1}
BUM (5)	Loop control for backup ^{(*)1}
PVSW (6)	Loop control with PV switching ^{(*)1}
PVSEL (7)	Loop control with PV auto-selector (Max./Min./Ave./Diff.) ^{(*)1}
PVHD (8)	Control with PV-hold function

*1: Remote auxiliary analog input is required.

2) Control period

Selectable from 50 ms ^{(*)2}, 100 ms, and 200 ms

*2: Cascade control (Control mode 4) cannot be used.
"Super" function or "Super 2" function cannot be used.



UT55A/MDL

UT52A/MDL

Table of Number of Inputs and Outputs

Model and suffix code (See the model code)	Number of analog input points	Number of analog output points ^{(*)3}	Number of contact input points ^{(*)4}	Number of contact output points ^{(*)5}
UT55A				
-x0x/MDL	1	1	3	3
-x2x/MDL	2	1	4	3
-x3x/MDL	1	1	8	8
-x4x/MDL	2	1	3	3
-x5x/MDL	2	1	9 (8)	8
-x7x/MDL	4	1	6 (5)	3
UT52A				
-x0x/MDL	1	1	3	3
-x1x/MDL	2	1	4 (3)	3

*3: Excluding control output

*4: The numbers in parentheses show the numbers of points in each model with RSP direct input. (/DR option).

*5: Excluding control output relays

Control Computation Specifications

(1) Combination of types of control and control modes

Types of control	Control mode							
	1	2	3	4	5	6	7	8
PID control	√	√	√	√	√	√	√	√
ON/OFF control	√	N/A	N/A	N/A	N/A	√	√	N/A
Two-position, two-level control ^{(*)6}	√	N/A	N/A	N/A	N/A	N/A	N/A	N/A
Heating and cooling control ^{(*)6}	√	N/A	√	√	√	√	√	√
Sample PI control	√	N/A	N/A	N/A	N/A	√	√	√
Batch PID control	√	N/A	N/A	N/A	N/A	√	√	√
Feedforward control	√	N/A	N/A	N/A	N/A	N/A	N/A	√

√: Available N/A: Not Available

*6: Selectable for heating and cooling control

(2) Control Computation Function

(a) Target setting point and the number of PID parameter groups

Respectively, eight sets of target setpoints, alarm setpoints, and PID parameters can be set. For cascade control, respectively, eight sets can be set for main (primary side) and slave (secondary side).

- (b) Selecting the PID parameter group
The following PID parameter groups can be selected.
- Target setpoint number (SPNO) (The PID number can be set arbitrarily.)
 - Measured input zone PID
 - Target setpoint zone PID
 - Reached target setpoint zone PID
- (c) Auto-tuning
- Tuning results can be selected from two options, Normal or Stable.
 - Tuning output limit can be set. (It cannot be used in heating/cooling control.)
- (d) "Super" function: Overshoot-suppressing function
- (e) "Super 2" function: Hunting-suppressing function
- (f) STOP preset output function
- (g) Input ERROR preset output function
- (h) MANUAL preset output function

(3) Operation Mode Switching

Operation mode switching	AUTO/MANUAL and RUN/STOP switching CASCADE/AUTO/MANUAL switching REMOTE/LOCAL switching
---------------------------------	---

(4) Control Parameter Setting Range

Proportional band	0.1 to 999.9%
Integral time	1 to 6000 sec. or OFF (using manual reset)
Derivative time	1 to 6000 sec. or OFF
ON/OFF control hysteresis (one or two hysteresis points)	0.0 to 100.0% of measured input range width
Preset output value	-5.0 to 105.0% (however, 0 mA or less cannot be output)
High/low output limiter	-5.0 to 105.0% Low limit setpoint < high limit setpoint
Tight shut function	When manual control is carried out with 4 to 20 mA output, control output can be reduced to about 0 mA.
Rate-of-change limiter of output	0.1 to 100.0%/sec., OFF
Output deadband	For heating and cooling control: -100.0 to 50.0%

(5) Ladder computation period

Ladder computation period is the same as control period.

Alarm Functions

- Types of Alarm

Measured value alarm	PV (measured value) high/low limit alarm
Deviation alarm	Deviation high/low limit alarm
Rate-of-change alarm	Deviation high and low limits alarm Deviation within high and low limits alarm Analog input PV high/low limit alarm Analog input RSP (ROMOTE) SP high/low limit alarm Auxiliary analog input high/low limit alarm PV rate-of-change alarm
Setpoint alarm	SP (setpoint) high/low limit alarm Target SP high/low limit alarm Target SP deviation high/low limit alarm Target SP deviation high and low limits alarm Target SP deviation within high and low limits alarm
Output alarm	Control output high/low limit alarm Cooling control output high/low limit alarm
Other alarms	Self-diagnosis alarm FAIL

- Alarm Functions

Alarm output action	Alarm stand-by action Alarm latch (forced reset) function Alarm hysteresis Alarm ON/OFF delay timer
Number of alarm settings	8 (per loop)
Number of alarm output points	Up to 8 (differs by model code)

Contact I/O Function

This function allows for allocating the input error condition, operation condition, alarm condition or other conditions to the contact input and contact output.

Contact input	AUTO/MANUAL switching
	REMOTE/LOCAL switching
	STOP/START switching
	Switching to CASCADE
	Switching to AUTO
	Switching to MANUAL
	Switching to REMOTE
	Switching to LOCAL
	AUTO-TUNING START/STOP switching
	OUTPUT TRACKING switching
	Two-input switching
	PV Hold
	SP number specification
PID number specification	
Manual preset output number specification	
Contact output	Loop 1 alarms 1 through 8
	Loop 2 alarms 1 through 8 (for cascade control)
	Status output

Ladder Sequence Function

(1) Number of I/O Points

	UT55A/MDL	UT52A/MDL
Number of digital input points	Up to 9	Up to 4
Number of digital output points	Up to 18	Up to 3

This is limited by the number of contact I/O signal points. (See the model code.)

(2) Types of Command

	Number of commands	Remark
Number of basic command types	13	Load, AND, OR, Timer, Counter, etc.
Number of application command types	73	Comparison, reverse, addition/subtraction/multiplication/division, logic operation, high/low limiter, etc.

(3) Sequence Device

	Types of device	Number of points
Digital I/O	Input relay	9 (max)
	Output relay	8 (max)
Internal device	M relay (bit data)	256
	DAT register (data)	28
	P register (parameter)	10
	K register (constant)	30
Special device	Special relay (bit data)	12

* Process data and process relay can be used besides the above-mentioned.

(4) Program capacity

Max. Program capacity: 500 steps *

*: Available number of steps differs according to the parameters, using command and control period.

(5) Ladder computation period

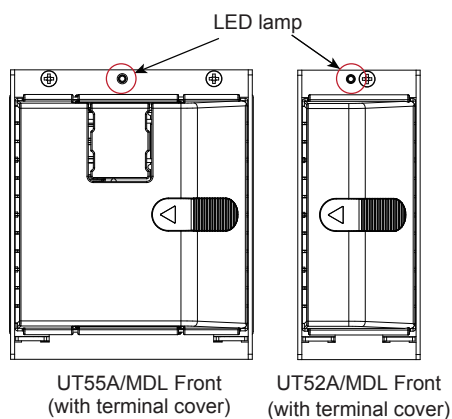
Ladder computation period is the same as control period.

Hardware Specifications

Display Specifications

The controller status can be verified with the LED.

Status	LED	Lit/Blinks	Description
Normal	Green	Lit	
Communication error	Green	Blinks	
Instrument failure	Red	Lit	Parameter error/ Hardware failure/Ladder program corruption.
Input error	Red	Blinks	sensor burnout, input over



Universal Input Specifications

- Number of input points: 1
- Types of input, instrument range, and measurement accuracy (see the table below)

Types of input	Instrument range		Accuracy	
	°C	°F		
Thermocouple	K	-270.0 to 1370.0°C	-450.0 to 2500.0°F	±0.1% of instrument range ±1 digit for 0°C or more
		-270.0 to 1000.0°C	-450.0 to 2300.0°F	
	J	-200.0 to 500.0°C	-200.0 to 1000.0°F	±0.2% of instrument range ±1 digit for less than 0°C
		-200.0 to 1200.0°C	-300.0 to 2300.0°F	
	T	-270.0 to 400.0°C	-450.0 to 750.0°F	However, ±2% of instrument range ±1 digit for less than -200°C of thermocouple K ±1% of instrument range ±1 digit for less than -200°C of thermocouple T
		0.0 to 400.0°C	-200.0 to 750.0°F	
	B	0.0 to 1800.0°C	32 to 3300°F	±0.15% of instrument range ±1 digit for 400°C or more ±5% of instrument range ±1 digit for less than 400°C
	S	0.0 to 1700.0°C	32 to 3100°F	±0.15% of instrument range ±1 digit
	R	0.0 to 1700.0°C	32 to 3100°F	±0.15% of instrument range ±1 digit
	N	-200.0 to 1300.0°C	-300.0 to 2400.0°F	±0.1% of instrument range ±1 digit ±0.25% of instrument range ±1 digit for less than 0°C
	E	-270.0 to 1000.0°C	-450.0 to 1800.0°F	±0.1% of instrument range ±1 digit for 0°C or more
	L	-200.0 to 900.0°C	-300.0 to 1600.0°F	
	U	-200.0 to 400.0°C	-300.0 to 750.0°F	±0.2% of instrument range ±1 digit for less than 0°C
		0.0 to 400.0°C	-200.0 to 1000.0°F	
	W ⁽²⁾	0.0 to 2300.0°C	32 to 4200°F	±0.2% of instrument range ±1 digit
	Platinel 2	0.0 to 1390.0°C	32.0 to 2500.0°F	±0.1% of instrument range ±1 digit
PR20-40	0.0 to 1900.0°C	32 to 3400°F	±0.5% of instrument range ±1 digit for 800°C or more Accuracy not guaranteed for less than 800°C	
W97 Re3-W75 Re25	0.0 to 2000.0°C	32 to 3600°F	±0.2% of instrument range ±1 digit	
Resistance-temperature detector (RTD) 3-wire	JPt100	-200.0 to 500.0°C	-300.0 to 1000.0°F	±0.1% of instrument range ±1 digit ^(*)
		-150.00 to 150.00°C	-200.0 to 300.0°F	
	Pt100	-200.0 to 850.0°C	-300.0 to 1560.0°F	±0.1% of instrument range ±1 digit ^(*)
-200.0 to 500.0°C		-300.0 to 1000.0°F		
Standard signal	0.400 to 2.0000 V	-	±0.1% of instrument range ±1 digit	
	1.000 to 5.000 V	-		
	4.00 to 20.00 mA	-		
DC voltage	0.000 to 2.000 V	-	±0.1% of instrument range ±1 digit	
	0.00 to 10.00 V	-		
	-10.00 to 20.00 mV	-		
DC current	0.00 to 20.00 mA	-		

The accuracy is that in the standard operating conditions: 23 ±2°C, 55 ±10%RH, and power frequency at 50/60 Hz.

*1: ±0.3°C and ±1 digit in the range between 0 and 100°C
±0.5°C ±1 digit in the range between -100 and 200°C

*2: W-5% Re/W-26% Re (Hoskins Mfg.Co.), ASTM E988

- Applicable standards: JIS, IEC and DIN (ITS-90) for thermocouples and resistance-temperature detectors (RTD)
- Input sampling period: Synchronized to control period

- Burnout detection
Upscale and downscale of function, and OFF can be specified for the standard signal of thermocouple and resistance-temperature detector (RTD). For integrated signal input, 0.1 V or 0.4 mA or less is judged as a burnout.
- Input bias current: 0.05 μ A (for thermocouple and resistance-temperature detector (RTD))
- Resistance-temperature detector (RTD) measured current: About 0.16 mA
- Input resistance
1 M Ω or more for thermocouple/mV input
About 1 M Ω for voltage input
About 250 Ω for current input (with built-in shunt resistance)
- Allowable signal source resistance
250 Ω or less for thermocouple/mV input
Effect of signal source resistance: 0.1 μ V/ Ω or less
2 k Ω or less for DC voltage input
Effect of signal source resistance: about 0.01%/100 Ω
- Allowable wiring resistance
Up to 150 Ω per line for resistance-temperature detector (RTD) input (conductor resistance between the three lines shall be equal)
Effect of wiring resistance: $\pm 0.1^{\circ}\text{C}/10 \Omega$
- Allowable input voltage/current
 ± 10 V DC for thermocouple/mV/mA or resistance-temperature detector (RTD) input
 ± 20 V DC for V input
 ± 40 mA DC for mA input
- Noise reduction ratio
40 dB or more (at 50/60 Hz) in normal mode
120 dB or more (at 50/60 Hz) in common mode
- Reference junction compensation error
 $\pm 1.0^{\circ}\text{C}$ (15 to 35 $^{\circ}\text{C}$)
 $\pm 1.5^{\circ}\text{C}$ (-10 to 5 $^{\circ}\text{C}$ and 35 to 50 $^{\circ}\text{C}$)

Auxiliary Analog Input Specifications

- This function can be used for remote setpoint setting, external compensating input, auxiliary input for computation, etc.
- Number of input points: see the model code table.
- For types of input, instrument range, and measurement accuracy, see the table below.

Types of input	Instrument range	Accuracy
Integrated signal	0.400 to 2.000 V	$\pm 0.2\%$ of instrument range ± 1 digit
	1.000 to 5.000 V	$\pm 0.1\%$ of instrument range ± 1 digit
DC voltage	0.000 to 2.000 V	$\pm 0.2\%$ of instrument range ± 1 digit
	0.00 to 10.00 V	$\pm 0.1\%$ of instrument range ± 1 digit
DC voltage with High input impedance	0.000 to 1.250 V	$\pm 0.1\%$ of instrument range ± 1 digit

- Input sampling period: Synchronized to control period
- Input resistance: about 1 M Ω
However, 10 M Ω or more for high input impedance
- Burnout detection: Functions at standard signal
Burnout is determined to have occurred if it is 0.1 V or less.

Contact Input Specifications

- Number of points: 3 points (standard)
For the maximum number of points, see the model and suffix code table.
- Input type: no-voltage contact input or transistor contact input

- Input contact capacity: 12 V DC, 10 mA or more
Be sure to use a contact with a minimum ON current of 1 mA or less
- ON/OFF detection
For no-voltage contact input:
Contact resistance 1 k Ω or less in ON state
Contact resistance 50 k Ω or more in OFF state
Transistor contact input:
2 V or less in ON state
Leak current 100 μ A or less in OFF state
- Status detection minimum hold time: control period + 50 ms
- Application: SP switching, operation mode switching, event input

Analog Output Specifications

- Number of points
Control output (heating-side output): 1 point (standard), which is shared with transmission output
Cooling-side output: 1 point, which is shared with transmission output
- Output functions
Current output or voltage pulse output
- Current output
4 to 20 mA DC or 0 to 20 mA DC/load resistance 600 Ω or less
- Current output accuracy
 $\pm 0.1\%$ of span (however, $\pm 5\%$ of span for 1 mA or less)
The accuracy is that in the standard operating conditions: 23 $\pm 2^{\circ}\text{C}$, 55 $\pm 10\%$ RH, and power frequency at 50/60 Hz
- Voltage pulse output
Application: time proportional output
ON voltage: 12 V or more/load resistance of 600 Ω or more
OFF voltage: 0.1 V DC or less
Time resolution: 10 ms or 0.1% of output value, whichever is larger

Retransmission Output Specifications

- Number of points: 1 point (standard), which is shared with 15 V DC loop power supply
Additional 2 points when analog control output and cooling-side analog control output are not used
- Output function: current output
4 to 20 mA DC or 0 to 20 mA DC/load resistance 600 Ω or less
- Current output accuracy (conversion accuracy from PV value on the set scale): $\pm 0.1\%$ of span (however, $\pm 5\%$ of span for 1 mA or less)
The accuracy is that in the basic operating conditions: 23 $\pm 2^{\circ}\text{C}$, 55 $\pm 10\%$ RH, and power frequency at 50/60 Hz
This is not conversion accuracy through input and output but the performance of transmission output itself.

15V DC Loop Power Supply Specifications

- Number of points: 1 point (standard), which is shared with retransmission output
Control output (1 point) can also be used.
- Supply voltage: 14.5 to 18.0 V DC
- Maximum supply current: about 21 mA (with short-circuit current limiting circuit)

Step Response Time Specifications

Within 500 ms (for a control period of 50 ms or 100 ms)

Within 1 s (for a control period of 200 ms)

(Response time at 63% of transmission output when a change is made stepwise in the range between 10 and 90% of input span)

Relay Contact Output Specifications

- Types of contact and number of points
 - Control relay output: one 1c-contact point
 - Cooling output of heating and cooling control: one 1c-contact point (For UT55A/MDL only)
 - For UT52A/MDL heating/cooling output: 2, 1a-contact points
 - Alarm output: 3 1a-contact points (Common is separated)
- Contact rating
 - 1c-contact: 3 A at 250 V AC or 3 A at 30 V DC (resistance load)
 - 1a-contact:
 - For alarm output: 1 A at 240 V AC or 1 A at 30 V DC (resistance load)
 - For UT52A/MDL control relay output: 3 A at 240 V AC or 3 A at 30 V DC (resistance load)
- *: The control output should always be used with a load of 10 mA or more.
The alarm output should always be used with a load of 1 mA or more.
- Application: time proportional output, alarm output, FAIL output, etc.
- Time resolution for control output: 10 ms or 0.1% of output value, whichever is larger

Transistor Contact Output Specifications

- Number of points: see the model and suffix code table
- Output form: open collector (sink current)
- Output contact capacity: Up to 24 V DC, 50 mA
- Output time resolution: min 50 ms
- Application: alarm output, FAIL output, etc.

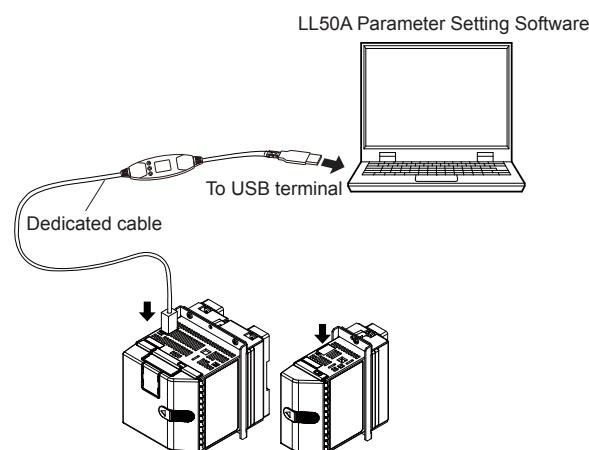
24 V DC Loop Power Supply Specifications (for /LP Option)

- Application: Power is supplied to the 2-wire transmitter.
- Supply voltage: 21.6 to 28.0 V DC
- Rated current: 4 to 20 mA DC
- Maximum supply current: About 30 mA (with short-circuit current limiting circuit)

Maintenance Port Specifications

The maintenance port is used to connect a dedicated cable when using the LL50A Parameter Setting Software (sold separately). Through this port, you can set controller parameters, download ladder programs, and so on.

For details, see the LL50A General Specifications (GS05P05A01-01EN).



Use LL50A with the controller turned on. (The dedicated cable must be connected. LL50A Light-loader adapter cannot be used.)

The maintenance port is not isolated from the PV input terminal. Use the port only for maintenance purposes, such as for setting the controller parameters.

Safety and EMC Standards

- Safety:
 - Compliant with IEC/EN 61010-1 (CE), IEC/EN 61010-2-201 (CE), IEC/EN 61010-2-030 (CE), approved by CAN/CSA C22.2 No. 61010-1 (CSA), approved by UL 61010-1.
 - Installation category: II
 - Pollution degree: 2
 - Measurement category: I (CAT I) (UL, CSA)
O (Other) (CE)
 - Rated measurement input voltage: Max. 10 V DC
 - Rated transient overvoltage: 1500 V (*)
 - *: This is a reference safety standard value for measurement category I of CSA/UL 61010-1, and for measurement category O of IEC/EN 61010-2-030. This value is not necessarily a guarantee of instrument performance.
- EMC standards:
 - Compliant with
 - CE marking
 - EN 61326-1 Class A, Table 2 (For use in industrial locations),
 - EN 61326-2-3
 - *: The instrument continues to operate at a measurement accuracy of within $\pm 20\%$ of the range during testing.
 - EN 55011 Class A, Group 1
 - EN 61000-3-2 Class A
 - EN 61000-3-3
 - EMC Regulatory Arrangement in Australia and New Zealand
 - EN 55011 Class A, Group 1
 - KC marking: Electromagnetic wave interference prevention standard, electromagnetic wave protection standard compliance

Power Supply Specifications and Isolation

- Power supply
Rated voltage: 100 to 240 V AC (+10%/-15%), 50/60 Hz
24 V AC/DC (+10%/-15%) (When the /DC option is specified)
- Power consumption: UT55A/MDL: 18 VA
(For the /DC option. 24 V DC: 9 VA, 24 V AC: 14 VA)
UT52A/MDL: 15 VA
(For the /DC option. 24 V DC: 7 VA, 24 V AC: 11 VA)
- Storage: Nonvolatile memory
- Allowable power interruption time: 20 ms (at 100 V AC)
- Withstanding voltage
2300 V AC for 1 minute between primary and secondary terminals (UL, CSA)
3000 V AC for 1 minute between primary and secondary terminals (CE)
1500 V AC for 1 minute between primary terminals
500 V AC for 1 minute between secondary terminals (Primary terminals = Power (*) and relay output terminals, Secondary terminals = Analog I/O signal terminals, contact input terminals, communication terminals, and functional grounding terminals.)
*: Power terminals for 24 V AC/DC models are the secondary terminals.
- Insulation resistance
Between power supply terminals and a grounding terminal: 20 MΩ or more at 500 V DC
- Isolation specifications

PV (universal) input terminal, Maintenance port	Internal circuits	Power supply
Remote input terminals		
Aux. analog (AIN2) input terminals		
Aux. analog (AIN4) input terminals		
Control and transmission (analog) output terminal (not isolated between the analog output terminals)		
Control relay (c-contact) output terminal		
Alarm-1 relay (a-contact) output terminal		
Alarm-2 relay (a-contact) output terminal		
Alarm-3 relay (a-contact) output terminal		
Contact input terminal (All) RS485 communication terminal		
Contact output (transistor) terminal		
Ethernet/PROFIBUS-DP/CC-Link/DeviceNet communication terminal		

The circuits divided by lines are insulated mutually.

Environmental Conditions

Normal operating conditions

- Ambient temperature: -10 to 50 °C
If the CC-Link option is specified, 0 to 50 °C for UT55A/MDL; 0 to 40 °C for UT52A/MDL.
(side-by-side mounting: 0 to 50 °C for UT55A/MDL; 0 to 40 °C for UT52A/MDL)
- Ambient humidity: 20 to 90% RH (no condensation)
- Magnetic field: 400 A/m or less
- Continuous vibration (at 5 to 9 Hz) Half amplitude of 1.5 mm or less
(at 9 to 150 Hz) 4.9 m/s² or less, 1 oct/min for 90 minutes each in the three axis directions
- Rapid vibration: 14.7 m/s², 15 s or less
- Impact: 98 m/s² or less, 11 msec.
- Installation altitude: 2,000 m or less above sea level
- Warm-up time: 30 minutes or more after the power is turned on

- Start-up time within 10 s

Transportation and Storage Conditions

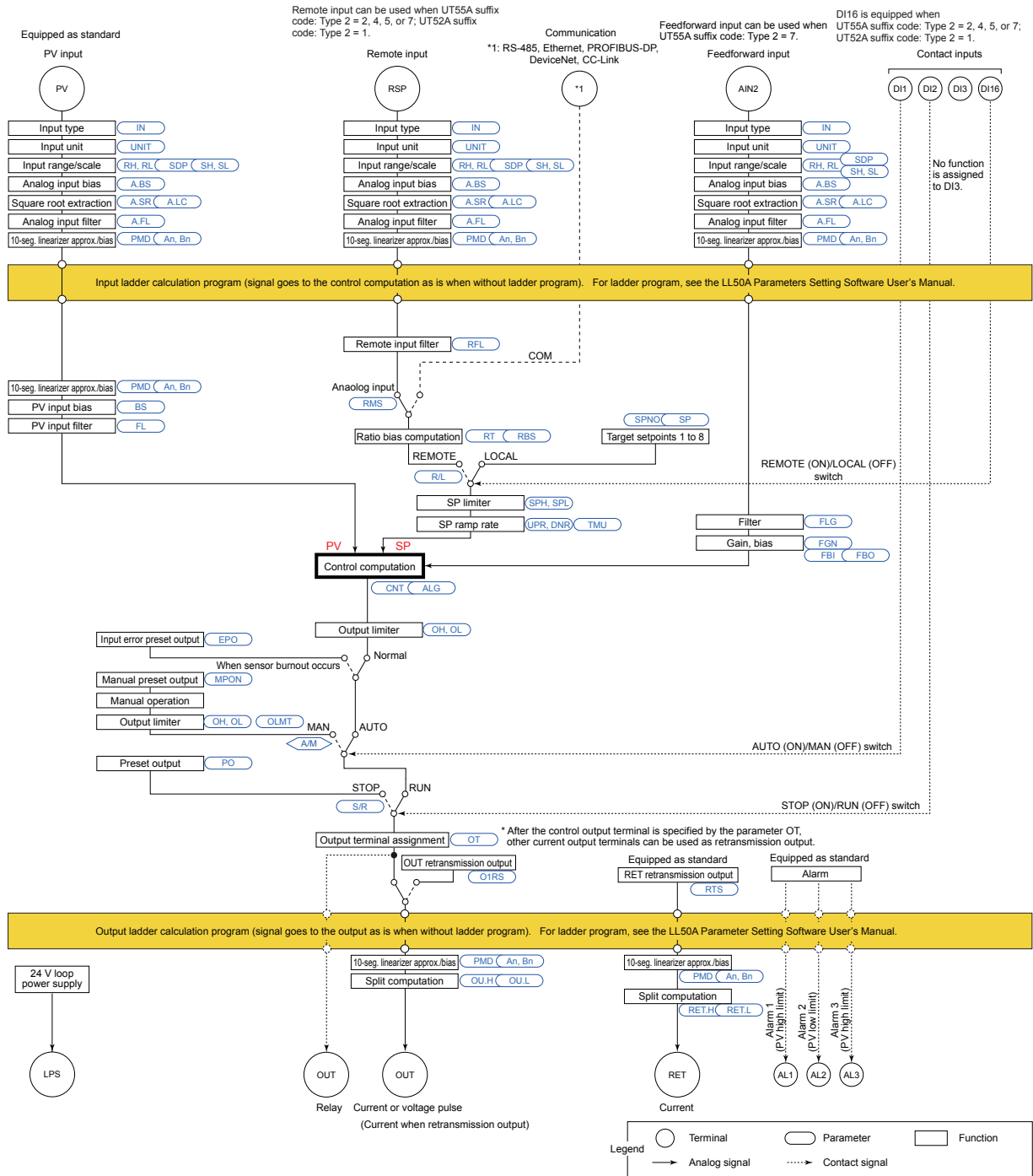
- Temperature: -25 to 70 °C
- Temperature change rate: 20 °C per hour or less
- Humidity: 5 to 95%RH (no condensation)

Effects of Operating Conditions

- Effect of ambient temperature
For voltage or TC input:
±1 μV/°C or ±0.01% of F.S. (instrument range)/°C, whichever is greater
For RTD input:
±0.05°C/°C (ambient temperature) or less
For current input:
±0.01% of F.S. (instrument range)/°C
For analog output:
±0.02% of F.S./°C or less
- Effect of power supply fluctuation:
For analog input: ±0.05% of F.S. (instrument range) or less
For analog output: ±0.05% of F.S. or less
(Each within rated voltage range)

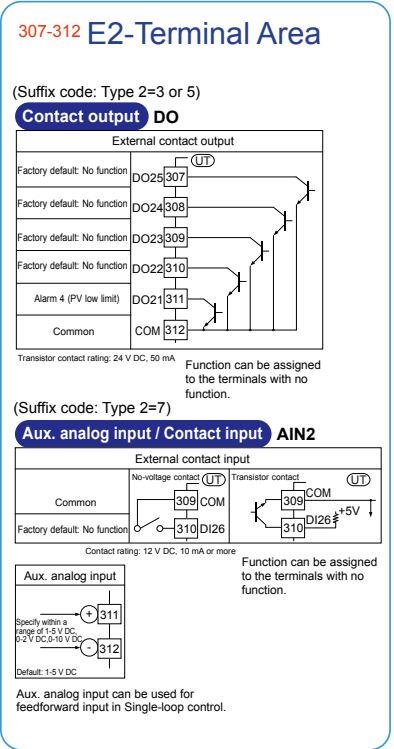
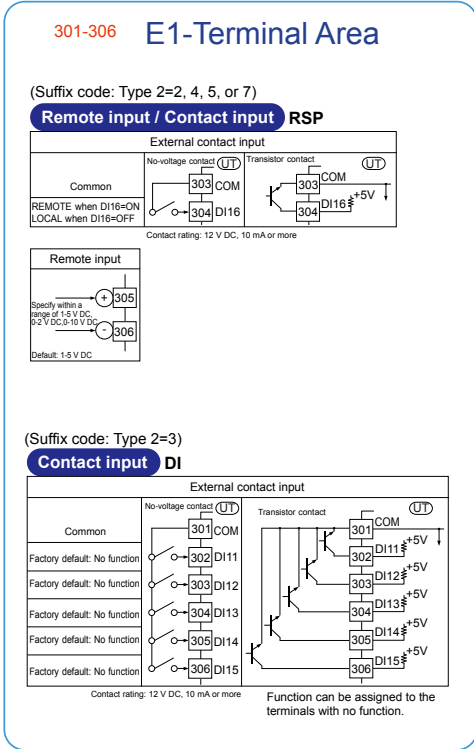
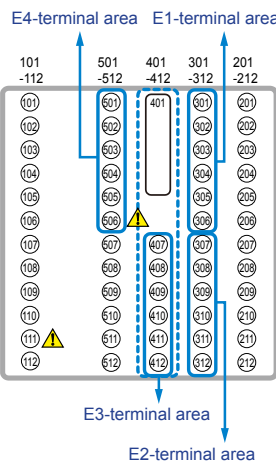
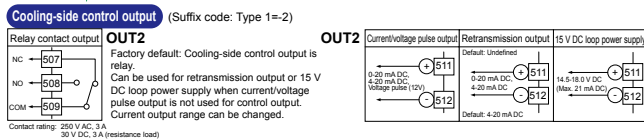
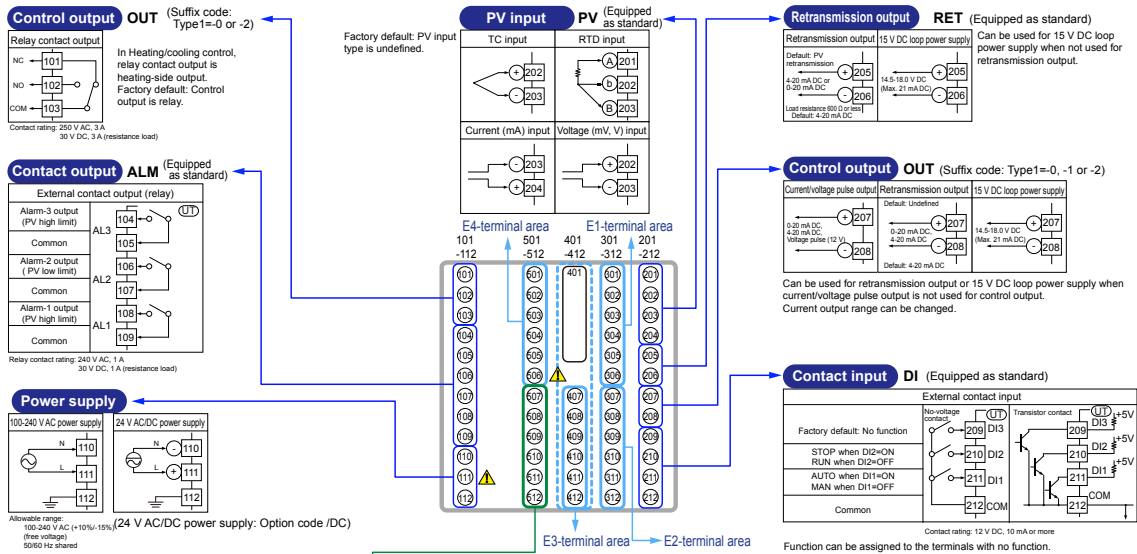
■ Block Diagram

Single Loop Control (For the block diagrams of other control modes, see the user's manual)



Terminal Arrangement

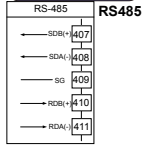
Terminal Arrangement for UT55A/MDL Single Loop Control (for the terminal arrangements of other control modes, see the user's manual.)



401-412 E3-Terminal Area

(Suffix code: Type 3=1)

RS-485 communication



(Suffix code: Type 3=2)

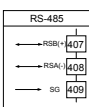
Ethernet communication (with gateway function)

10BASE-T/100BASE-TX RJ45 connector



ETHER

Upper side LED (baud rate)	
Color	Arizer
Lt	100M bps
Unit	10M bps
Lower side LED (link activity)	
Color	Green
Lt	Linked
Blink	Active
Unit	Link failure



(Suffix code: Type 3=4)

PROFIBUS-DP communication (with Modbus master)

VP



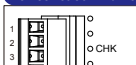
Pin	Signal name	Description
1	VP	+5V bus power
2	RxD/TxD-P	Data signal (positive data receive/transmit)
3	RxD/TxD-N	Data signal (negative data receive/transmit)
4	DGND	Signal ground
5	SHIELD	Shield ground

LED	Lt	Unit
CHK (red)	User profile error	Normal
RDV (green)	Normal Communicating successfully	No power, or Communication failure
ERR (red)	Not connected, or communication failure (flashing)	Normal

(Suffix code: Type 3=3)

CC-Link communication (with Modbus master)

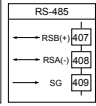
CC-L



Pin	Signal name	Description
1	FG	Frame ground
2	SLD	Shield
3	DB	RX/TX signal ground
4	DB	RX/TX - signal
5	DA	RX/TX + signal

LED	Lt	Unit
CHK (red)	User profile error/Address error	Normal
LERR (red)	Communication failure (CRC error)	Normal
L.RUN (green)	Normal Communicating successfully	No carrier detected/Connection timeout

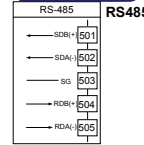
If the UT is located at the end of a segment for the CC-Link communication wiring, terminating resistors are separately needed. These are to be prepared by users. (110 Ω: 1 pc.)



501-506 E4-Terminal Area

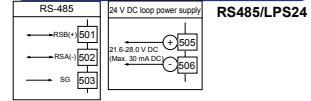
(Suffix code: Type 2=2 and without option code /LP)

RS-485 communication



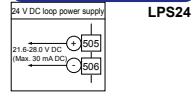
(Suffix code: Type 2=2 and with option code /LP)

RS-485 communication/24 V DC loop power supply



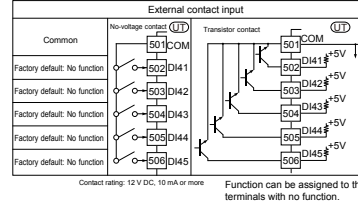
(Suffix code: Type 2=other than 2, 5, or 7 and with option code /LP)

24 V DC loop power supply



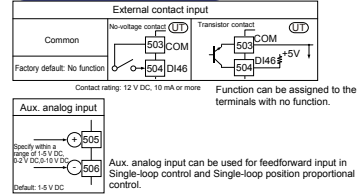
(Suffix code: Type 2=5)

Contact input DI



(Suffix code: Type 2=7)

Aux. analog input/Contact input AIN4



■ Model and Suffix Code

Model	Suffix code	Option code	Description
UT55A		/MDL (Required)	Digital Indicating Controller (Power supply 100-240 V AC) (provided with retransmission output or 15 V DC loop power supply , 3 DIs, and 3 DOs) (without the display parts and keys)
Type 1: Basic control	-0 -2		Standard type Heating/cooling type
Type 2: Functions	0 2 3 4 5 7		None Remote (1 additional aux. analog) input, 1 additional DI, and RS-485 communication (Max.19.2 kbps, 2-wire or 2-wire/4-wire) ^{(*)1} 5 additional DIs and 5 additional DOs Remote (1 additional aux. analog) input and 1 additional DI Remote (1 additional aux. analog) input, 6 additional DIs, and 5 additional DOs 3 additional aux. analog inputs and 3 additional DIs
Type 3: Open networks	1 2 3 4 5		RS-485 communication (Max. 38.4 kbps, 2-wire/4-wire) Ethernet communication (with serial gateway function) CC-Link communication (with Modbus master function) PROFIBUS-DP communication (with Modbus master function) DeviceNet communication (with Modbus master function)
Fixed code	-1		Temperature unit: deg C & deg F
Case color	1		Black (Light charcoal gray)
Fixed code	-00		Always "-00" (for Standard Code Model)
Option codes		/MDL (Required)	Mount on DIN rail (without the display parts and keys) ^{(*)2}
		/LP	24 V DC loop power supply ^{(*)2}
		/DC	Power supply 24 V AC/DC
		/CT	Coating ^{(*)3}

*1: When the /LP option is specified, the RS-485 communication of the Type 2 code "2" is 2-wire system.

*2: The /MDL option and /LP option can be specified in the combination of Type 2 code (any of "0", "2", "3", or "4") and Type 3 code "1".

*3: When the /CT option is specified, the UT55A does not conform to the safety standards (UL and CSA) and CE marking (Products with /CT option are not intended for EEA-market).

Model	Suffix code	Option code	Description
UT52A		/MDL (Required)	Digital Indicating Controller (Power supply 100-240 V AC) (provided with retransmission output or 15 V DC loop power supply , 3 DIs, and 3 DOs) (without the display parts and keys)
Type 1: Basic control	-0		Standard type
Type 2: Functions	0 1		None Remote (1 additional aux. analog) input, 1 additional DI, and RS-485 communication (Max. 38.4 kbps, 2-wire)
Type 3: Open networks	0 3		None CC-Link communication (with Modbus master function)
Fixed code	-1		Temperature unit: deg C & deg F
Case color	1		Black (Light charcoal gray)
Fixed code	-00		Always "-00" (for Standard Code Model)
Option codes		/MDL (Required)	Mount on DIN rail (without the display parts and keys) ^{(*)1}
		/DC	Power supply 24 V AC/DC
		/CT	Coating ^{(*)2}

*1: When the /MDL option is specified, the model and the suffix codes are as follows:

UT52A-010-11-00/x/MDL

UT52A-003-11-00/x/MDL

*2: When the /CT option is specified, the UT52A does not conform to the safety standards (UL and CSA) and CE marking (Products with /CT option are not intended for EEA-market).

■ Items to be specified when ordering

Model and suffix codes, whether User's Manual and QIC required.

■ Standard accessories

Terminal cover and Operation Guide for Single-loop Control.

■ Special Order Items

Model code	Suffix code	Description
LL50A	-00	Parameter Setting Software
X010	See the General Specifications (*)	Resistance Module

*: Necessary to input the current signal to the voltage input terminal.

Name	Model
Terminal cover (for UT55A)	UTAP001
Terminal cover (for UT52A)	UTAP002
User's Manual (CD)	UTAP003
Wall mount bracket (for UT52A/MDL)	UTAP005

User's Manual

Product user's manuals can be downloaded or viewed at the following URL. To view the user's manual, you need to use Adobe Reader 7 or later by Adobe Systems.

URL: <http://www.yokogawa.com/ns/ut/im/>